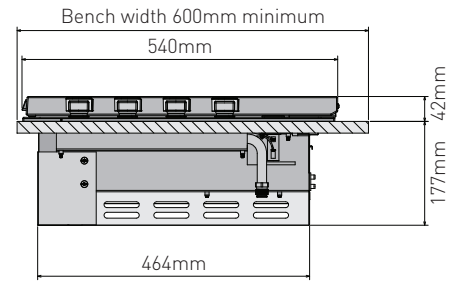
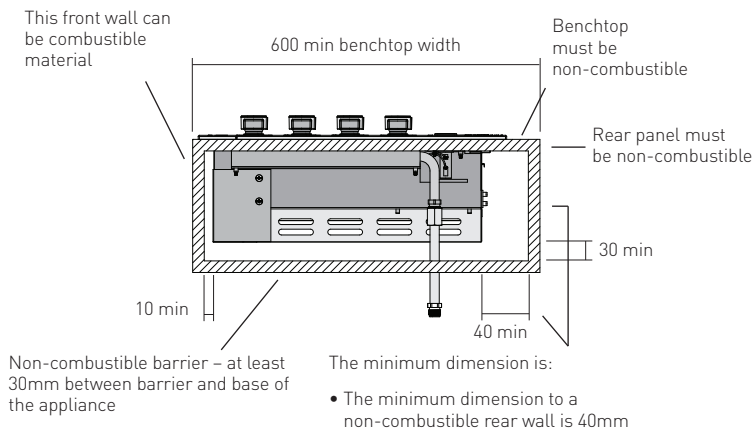
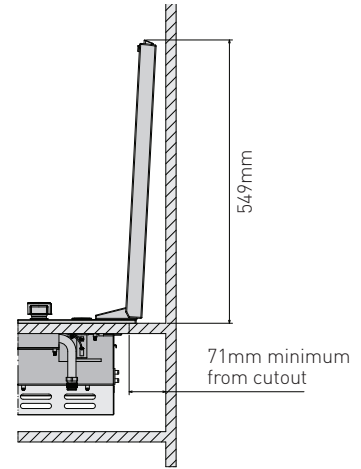
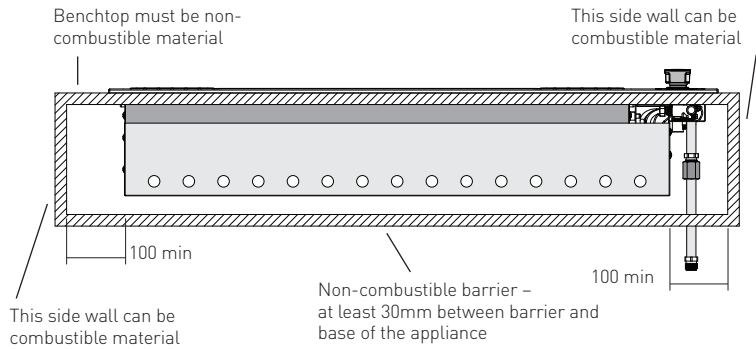
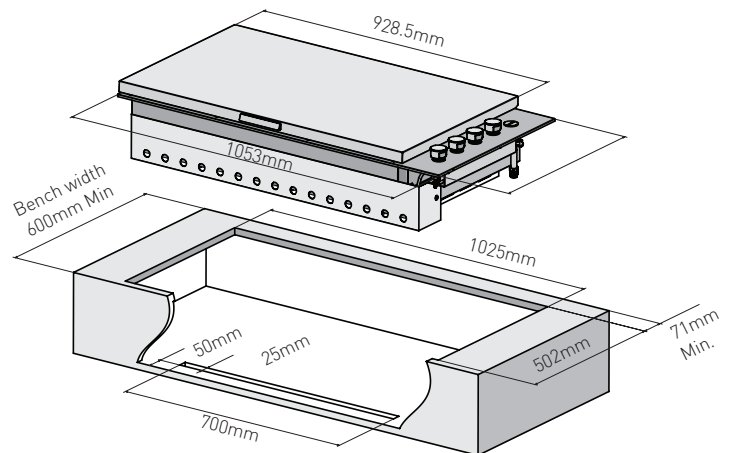


DIMENSIONS



Island style installation

(example shown with barbecue with slimline line)



Alternate vent location in base of enclosure
(front panel cut away for clarity)

! WARNING!

This appliance requires venting. An open area as indicated must be allowed for. A suitable grille can be fitted if desired. This vent area is to allow air into the enclosure for the correct combustion of gases and for the correct exhausting of the products of combustion. The vent must be no less than 700mm x 25mm.



Distribuidor oficial para España:

The Barbecue Store

**Avda. Carmen Saenz de Tejada, 1
29650 Mijas Costa (Málaga)**

Teléfono: 952477152 - 952477161

Fax.: 952580781

Email: dmbriico2@telefonica.net

<http://www.thebarbecuestore.es>